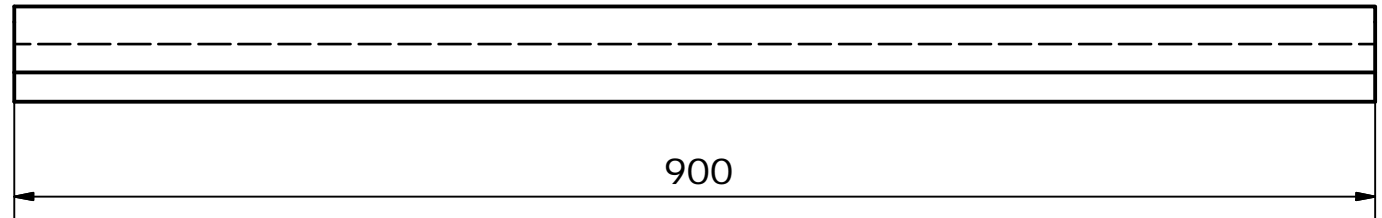
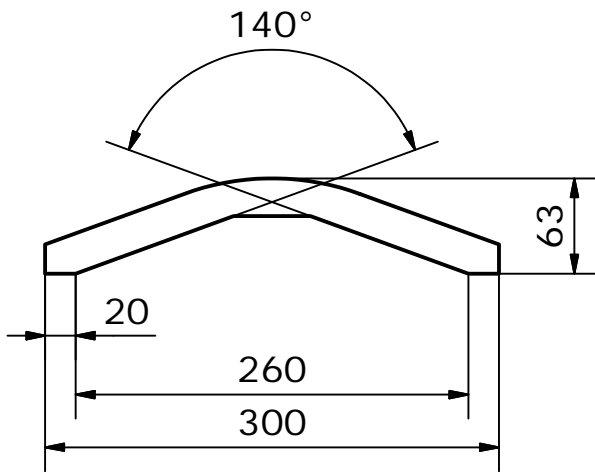
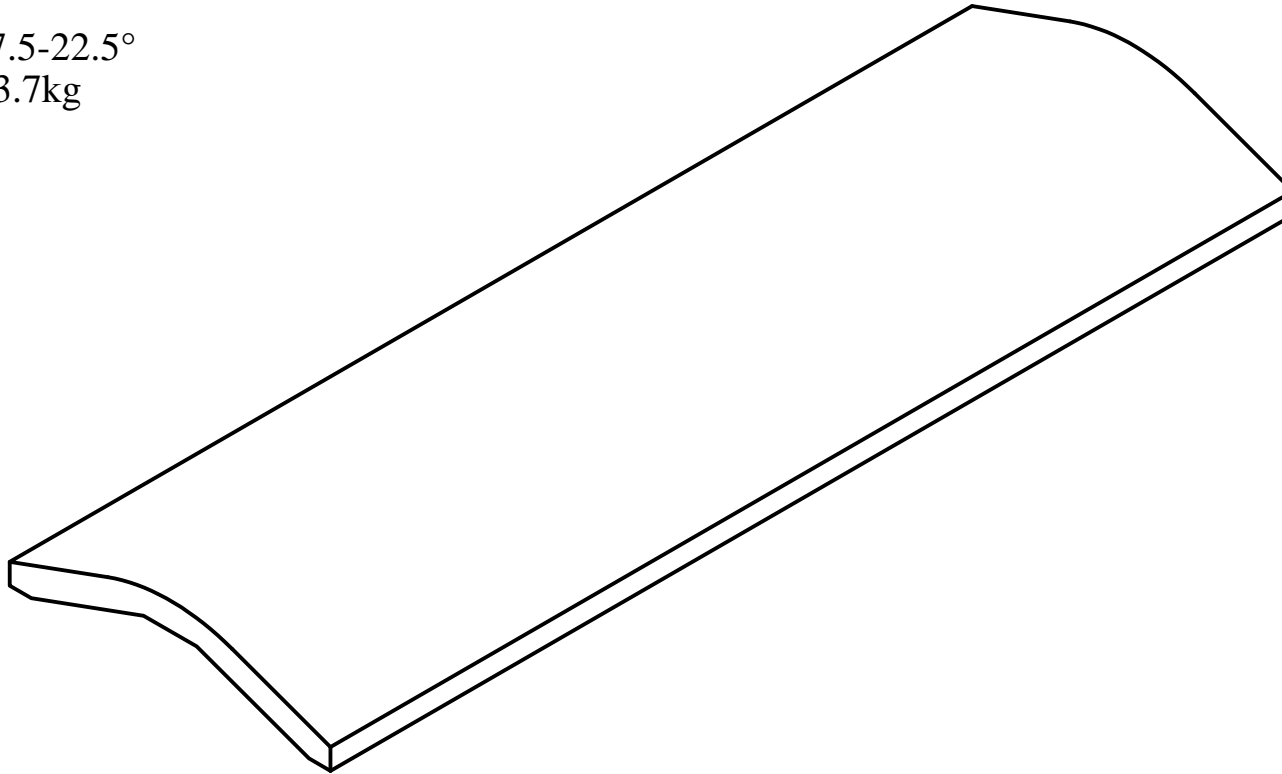


Pitch Range 17.5-22.5°  
Unit Weight 13.7kg



Drawn By TJF	Date 26/02/2007	Scale	Project Roofing Components
 <b>FORTICRETE</b> <i>innovators in masonry™</i>			Drawing Title 140° Hardrow Ridge
			Bridle Way, Bootle, Merseyside L30 4UA Tel: 0151 521 3545 www.forticrete.co.uk