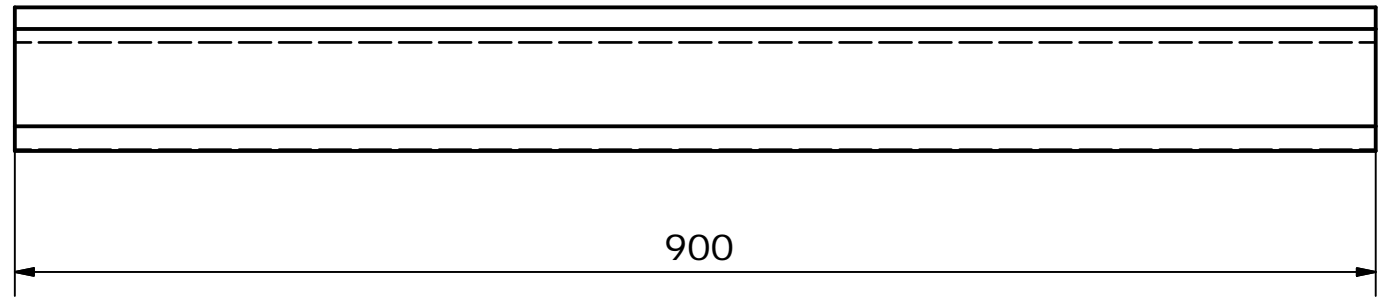
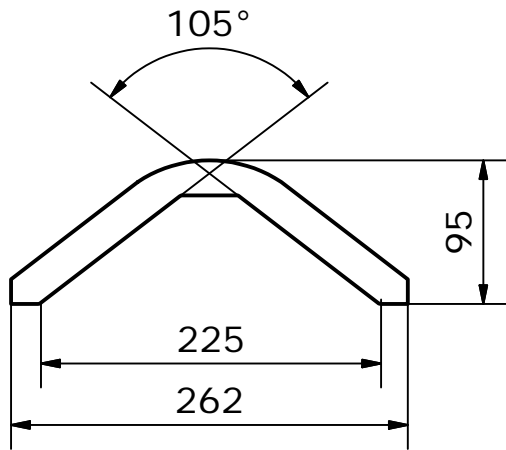
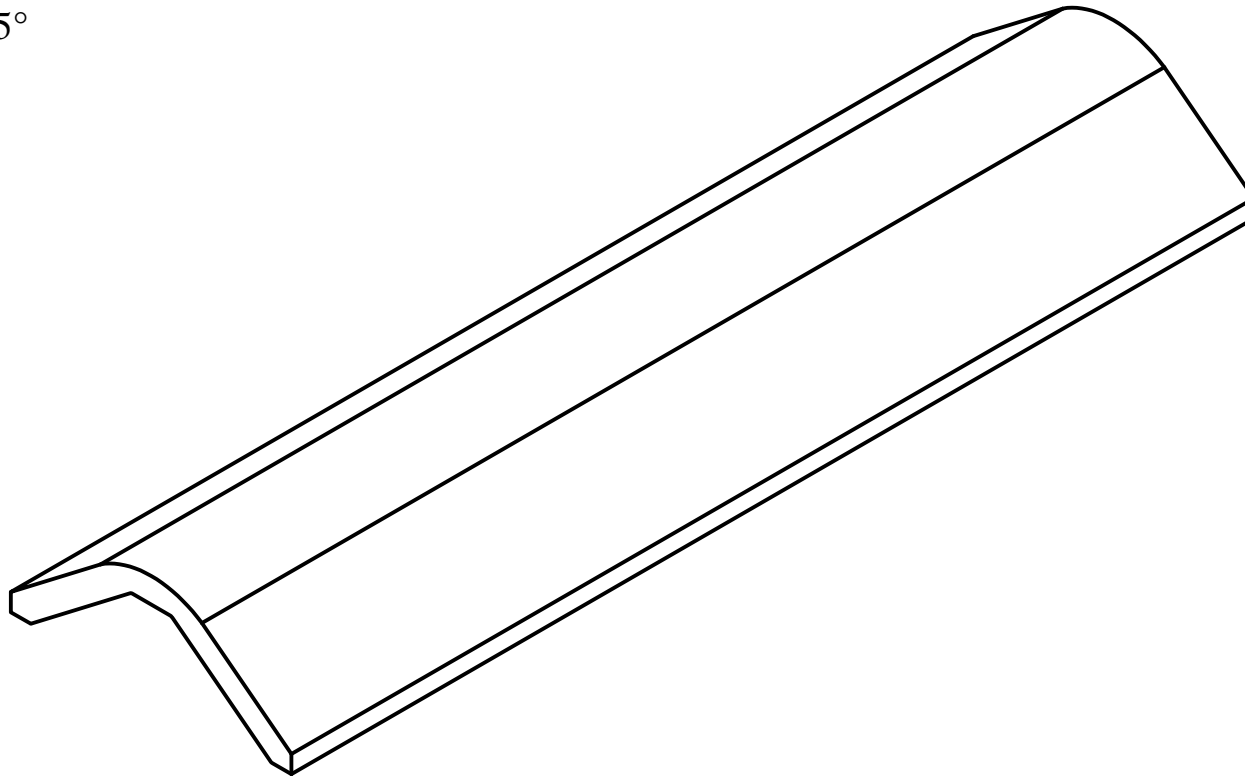


Pitch Range 35.5-42.5°
Unit Weight 13kg



Drawn By TJF	Date 26/02/2007	Scale	Project Roofing Components
 FORTICRETE <i>innovators in masonry™</i>			Drawing Title 105° Hardrow Ridge
			Bridle Way, Bootle, Merseyside L30 4UA Tel: 0151 521 3545 www.forticrete.co.uk