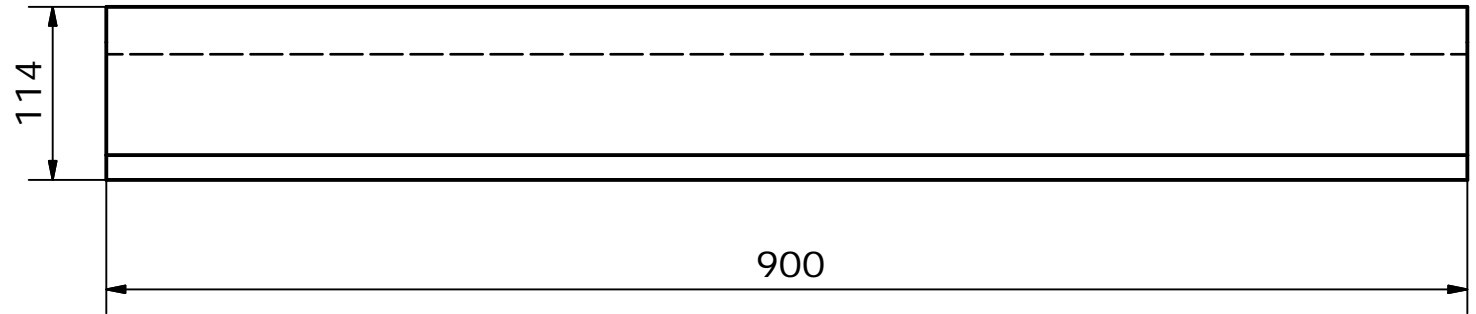
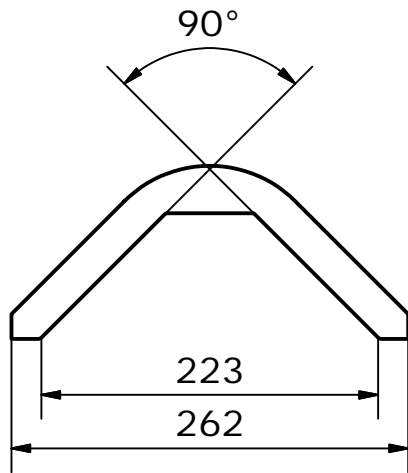
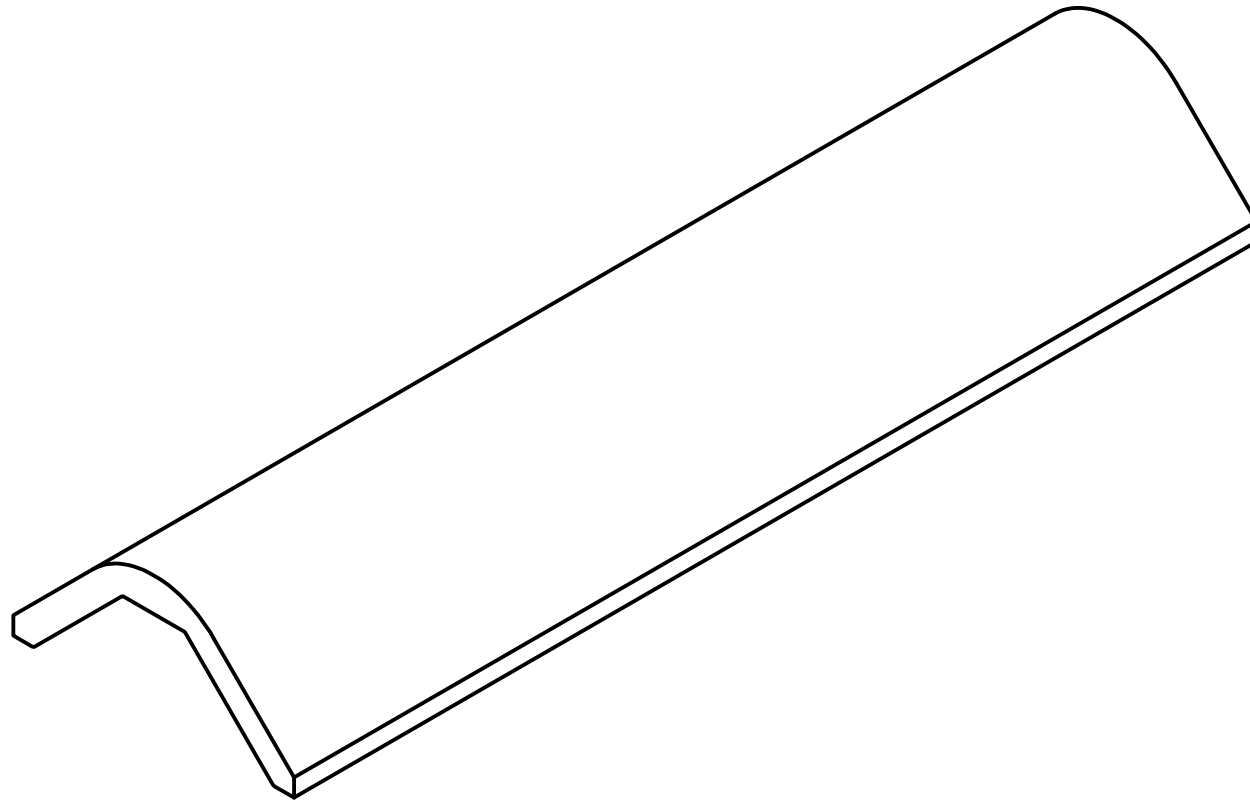


Pitch Range 43-50°  
Unit Weight 15kg



|   |                    |       |                                    |       |
|---|--------------------|-------|------------------------------------|-------|
| Drawn By<br>TJF   | Date<br>26/02/2007 | Scale | Project<br>Roofing Components      |       |
| <br><b>FORTICRETE</b><br><i>innovators in masonry™</i> |                    |       | Revision                           | Sheet |
|   |                    |       | Drawing Title<br>90° Hardrow Ridge |       |
| Bridle Way, Bootle, Merseyside L30 4UA<br>Tel: 0151 521 3545 www.forticrete.co.uk   |                    |       |                                    |       |