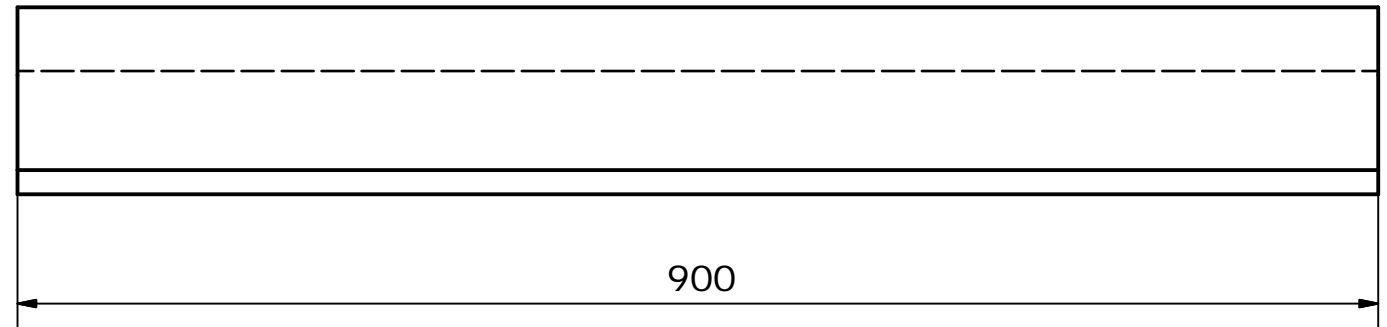
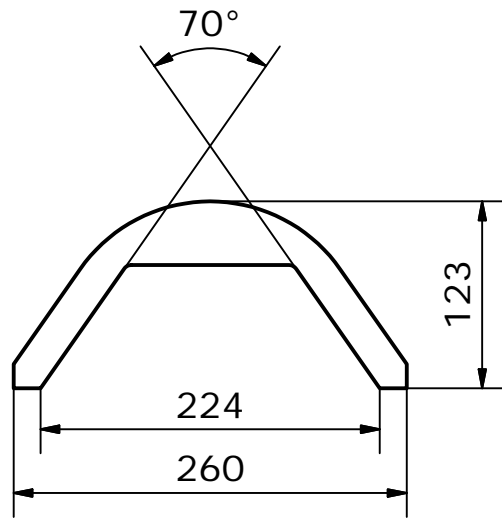
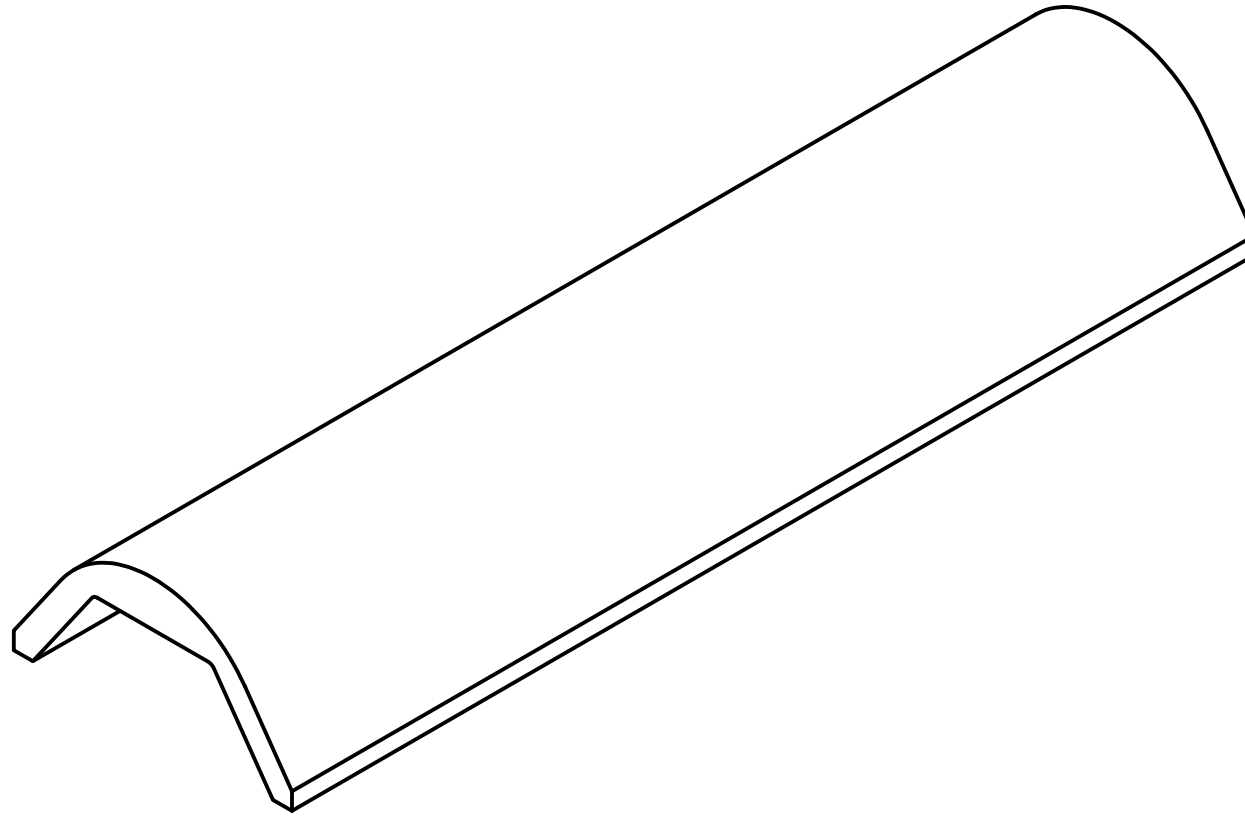


Pitch Range 51-60°
Unit Weight 17kg



Drawn By	Date	Scale	Project	Revision	Sheet
	26/02/2007		Roofing Components		
FORTICRETE <i>innovators in masonry™</i>			Drawing Title		
			70° Hardrow Ridge		
			Bridle Way, Bootle, Merseyside L30 4UA Tel: 0151 521 3545 www.forticrete.co.uk		